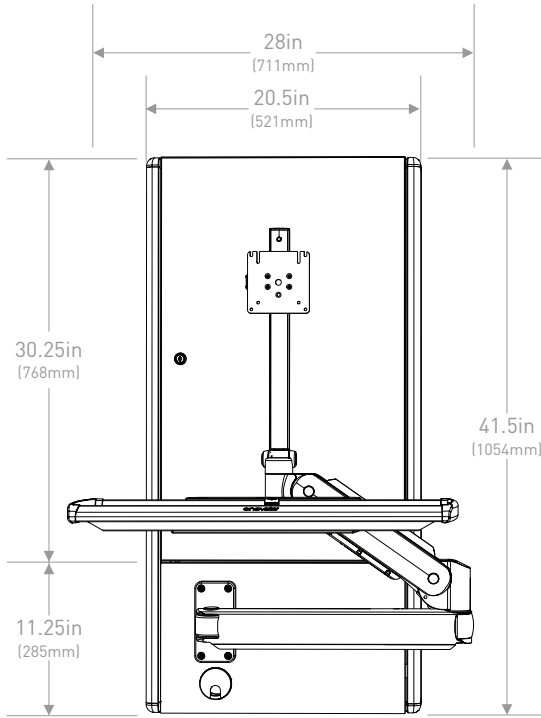
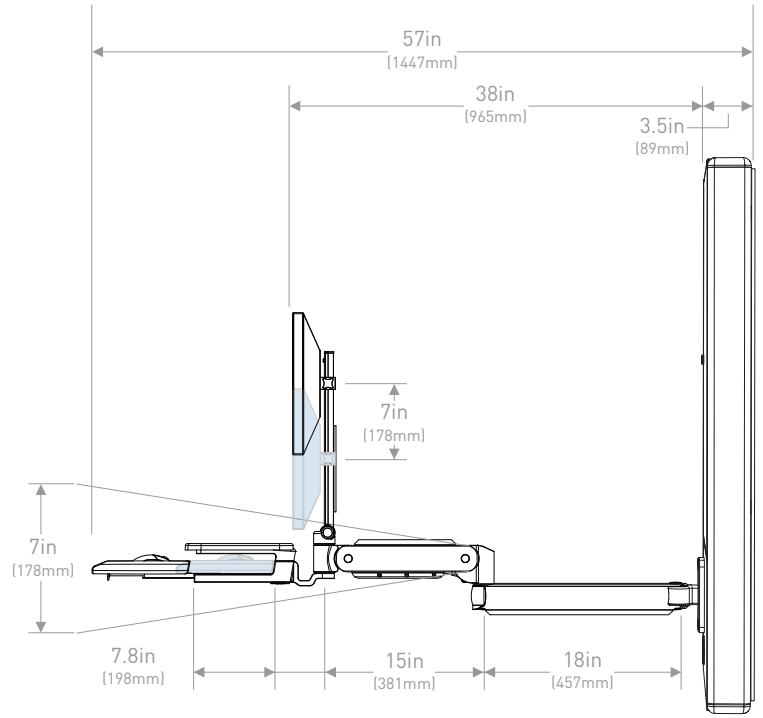


DIMENSIONS

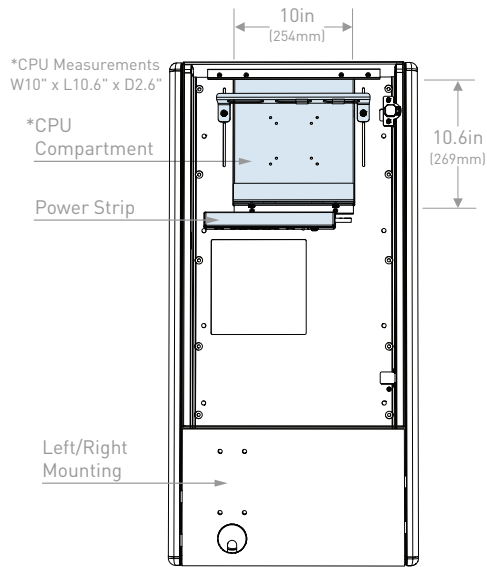


INTERIOR SPACE

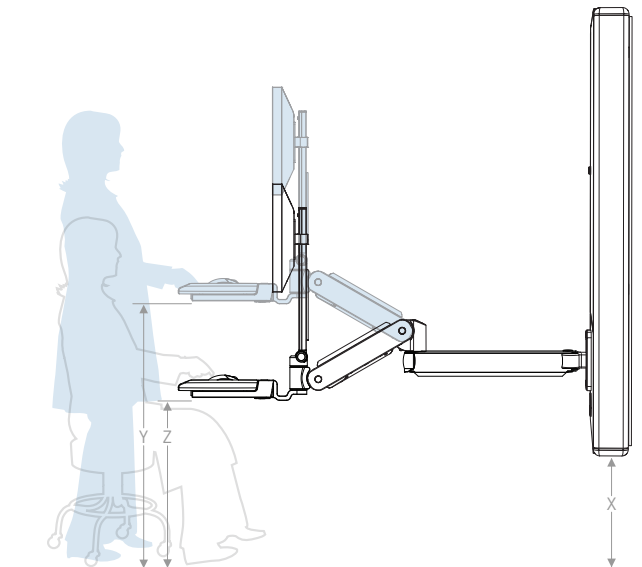
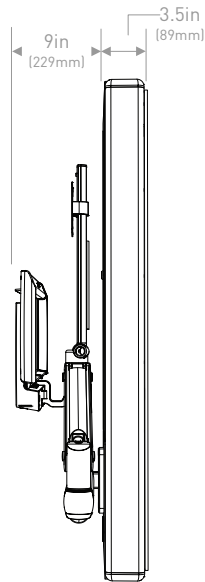


SIT-TO-STAND

STORED



OPTIONAL EDESK



X Mounting Height	Y Max Keyboard Height	Z Min Keyboard Height
30"	40"	26"
26.5"	36.5"	22.5"
22.5"	32.5"	18.5"

SPECIFICATIONS



- Display Weight Capacity: 20 lbs (9kg)
- Display Pivot Range: 180°
- Display Tilt Range: 45°
- Display Height Adjustment: 7" (178mm)
- Display Arm Articulation: 360°
- Keyboard Weight Capacity: 5 lbs (2.3kg)

